

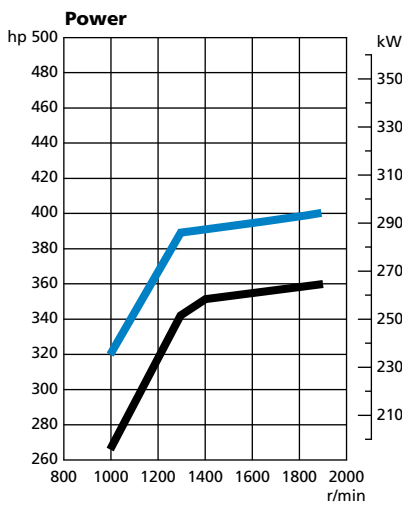


P-SERIES

The Scania P-series cab provides a combination of space and security, with easy cab access and comfortable accommodation. No wonder it's the driver's choice.

Combine the clean, frugal and powerful Scania Euro 5 SCR six-cylinder engines with an Allison automatic transmission and 8x4 twin steer configuration, and you have the makings of a perfect power-packed partner for busy front-lift operations.

P 360/400 8X4 RIGID (with Allison Automatic) Chassis Specification



Engines

400

- Scania DC 13 400 12.7 Litre In-line 6 cylinder
- Power - 400hp (294kW) @1900rpm
- Torque - 2100Nm (1549lb/ft) @1000 - 1300rpm
- Euro5 (ADR 80/03)

360

- Scania DC 13 360 12.7 Litre In-line 6 cylinder
- Power - 360hp (265kW) @1900rpm
- Torque - 1850Nm (1365lb/ft) @1000 - 1300rpm
- Euro5 (ADR 80/03)

Engine Features

- PDE
- Centrifugal engine oil filter
- Spin-on turbocharger oil filter
- Cartridge style fuel filters

Fan

- 11 Blade, electronically controlled viscous drive

Alternator

- Scania 24V, 100amp

Compressor

- Knorr 720, twin cylinder, 800L/min with air drier

Air Cleaner

- Mounted under the grille R/H side

Gearbox

- Scania GA867R, (Allison 4500PR) 6 speed Automatic

Gearbox Features

- Column mounted gear selector/retarder control
- Allison Retarder
- PTO - Scania EG210F (Chelsea 859G with spicer 1410 flange)
- Ratio 1:1.08

Front & Rear Axles

Front Axle

- Scania AMA 740

Front Suspension

- Scania 4 bag air suspension (14200kg capacity)
- With Extra Stiff Anti Roll Bar

Rear Axles

- Scania ADA 1100 Axle housing
- Scania RB662/R660 Differentials
- Ratio 4.88 with power divider and differential lock

Rear Suspension

- Scania 4 bag air suspension (19000kg capacity)

Brakes

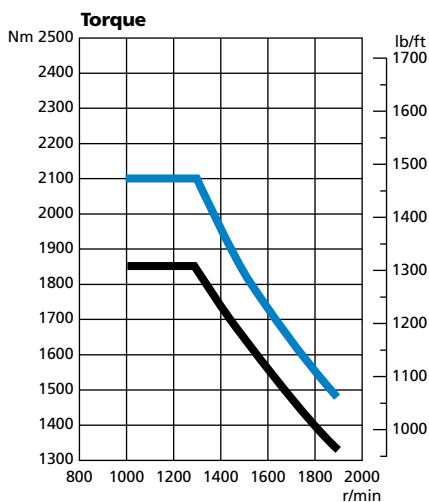
- Scania electronically controlled disc brakes
- EBS with integrated ABS and Traction Control
- Hill hold

Wheels

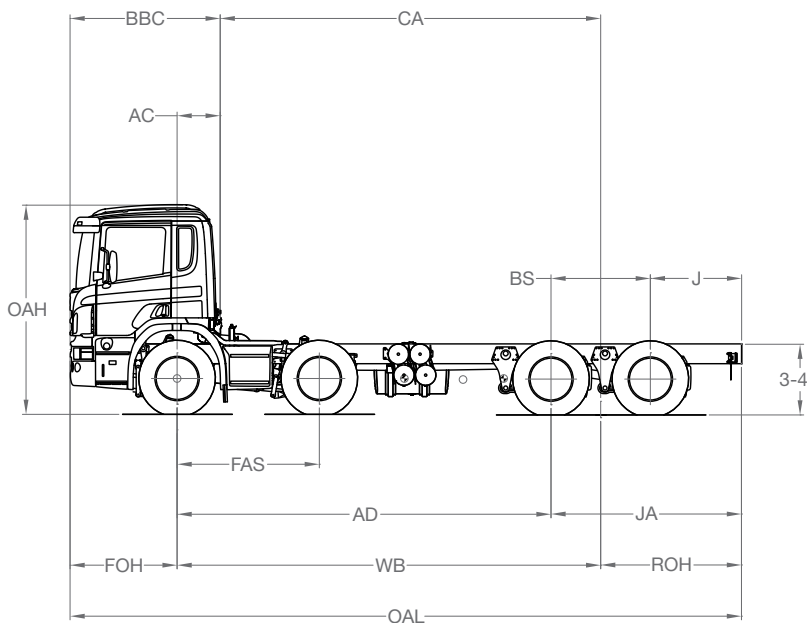
- Steel disc wheels painted silver
- 22.5" x 8.25" Tubeless rims
- 335mm PCD

Tyres

- Front - Bridgestone 295/80 R22.5
- Rear - Bridgestone 295/80 R22.5



— P 400
— P 360



FOH	1455mm	CA	5187mm
AD	5100mm	AC	588mm
WB	5775mm	3-4	997-973mm
FAS	1940mm	OAL	9155mm
BS	1350mm	J	1250mm
ROH	1925mm	JA	2600mm
BBC	2043mm	OAH	2825mm

Tare Weight: Front = 6800kg, Rear = 2800kg,
Total = 9600kg.

Tare weight includes, tanks full of fuel and urea.
It does not include turntable, bull bar or driver.

Weight tolerance +/-5%

Chassis

Frame

- Scania F950, 270 x 90 x 9.5mm
- Width 770mm

Paint

- Scania Sub-Grey (Powder Coat)

Axle Distance

- 5100mm (5775mm wheelbase)
- Rear overhang 1925mm

Fuel Tanks

- 400L (1x400 R/H)
- 1 x 75L Urea tank R/H

Front Bumper

- High Mounted FUP compliant bumper
- FUP to ECE R93

Batteries

- 24V (2x12V, 180 Ah) L/H Side
- Chassis electrical connection for auxiliary equipment (Max 200 amps)

Trailer Connections - Brakes

- Trailer Supply & Emergency to end of frame

Trailer Connections - Electrical

- 24V trailer light outlets (ISO 1185) to end of frame
- 24V trailer 7pin ABS outlet to end of frame
- Scania Body Work System with Cable Harness
- Front Mudguards with Spray suppression 1st axle only

Cabin

- Scania CP16 Day cab with four point spring suspension
- Cab Strength to ECE R29

Paint

- Cabin painted Scania white
- With Grey grille

Exterior Equipment

- Aerodynamic main & spotter mirrors electrically heated
- Electrically adjustable main mirrors
- Close up mirror on passenger side
- Roof rails
- Roof mounted air horns
- Manual central locking
- Reverse alarm

Lighting

- H7 headlights
- End outline marker - White LED
- Identification lamp - Amber LED
- Boarding step lights
- Daytime running lights - LED

Safety

- Driver seat belt pretensioner
- Driver's air bag

Interior Equipment

- Medium driver's seat
- Folding passenger seat
- Black woven trim
- Cruise control and dash display controlled from the steering wheel
- Scania colour dash display featuring rear axle load, hour meter, service and vehicle information
- AM/FM radio, CD player
- Phone electrical preparation.
- 12V outlet in dash
- FMS Preparation
- Resettable circuit breakers
- Power windows
- Manual climate control with air conditioning
- Protective rubber floor mats
- UHF CB radio

Additional Equipment

- 20m tyre inflation hose
- Jack & wheel brace
- Globe kit
- Drivers manual
- Three safety triangles

Notes



SCANIA

Total Transport Solutions
scania.com.au

Head Office

212 – 216 Northbourne Rd
Campbellfield, 3061
Tel: (03) 9217 3300

Scania VIC

(Campbellfield)
212 – 216 Northbourne Rd
Campbellfield, 3061
Tel: (03) 9217 3300

Scania VIC

(Dandenong)
2/66 Greens Rd
Dandenong South, 3175
Tel: (03) 9217 3600

Scania VIC

(Laverton)
125 – 129 Boundary Rd
Laverton, 3026
Tel: (03) 9369 8666

Scania NSW

(Prestons)
16 – 18 Lyn Pde
Prestons, 2170
Tel: (02) 9825 7900

Scania NSW

(Newcastle)
1 Enterprise Drive
Beresfield, 2322
Tel: (02) 9825 7940

K&J Trucks NSW

Lot 1 A1
Coffs Harbour, 2450
Tel: (02) 6652 7218

NJ's of Wagga NSW

301 Copland Street
Wagga Wagga, 2650
Tel: (02) 6971 7214

Scania QLD

(Richlands)
149 Archerfield Rd
Richlands, 4077
Tel: (07) 3712 8500

Scania QLD

(Pinkenba)
213 Holt St
Pinkenba, 4008
Tel: (07) 3712 7900

Scania SA

(Wingfield)
218 – 234 Cormack Rd
Wingfield, 5010
Tel: (08) 8406 0200

Scania WA

(Kewdale)
527 – 529 Abernethy Rd
Kewdale, 6105
Tel: (08) 9360 8500

Scania WA

(Bunbury)
12 Proffitt St
Davenport, 6230
Tel: (08) 9724 6200